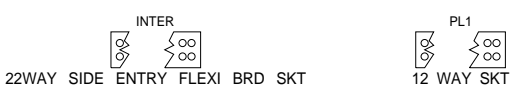
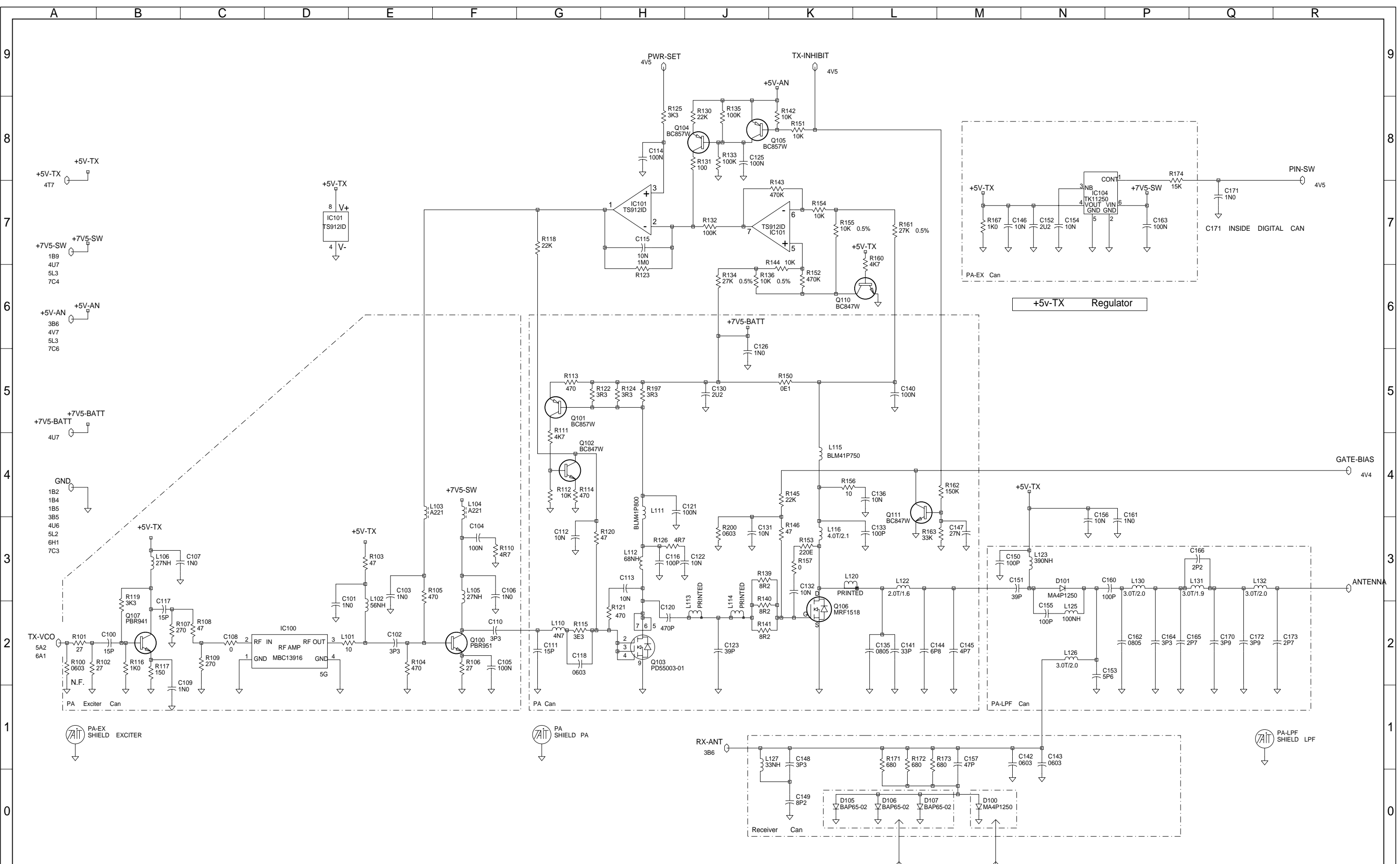


06B	ECO 50 1650 VALUES UPDATED	BRD			22-08-02	
06A	DCO NO. 1624-008	BRD			07-05-02	
05A	CCO NO. 1624-007	BRD			29-03-01	
04A	CCO. NO. 1624-006	BRD			20-03-01	
03B	CCO NO 1624-005	CJK			08-06-00	
03A	ECO NO 50 0788	CJK	JJ		29-05-00	
02A	CCO NO.1624-004 AMP CHANGES	TS			16-12-99	
01A	INITIAL DES CCO 1624/001 002 003	BRD	JJ	CK	GR	25/11/99
REV/ISS	AMENDMENTS	DRAWN	CHKD	D.O.	APVD	DATE



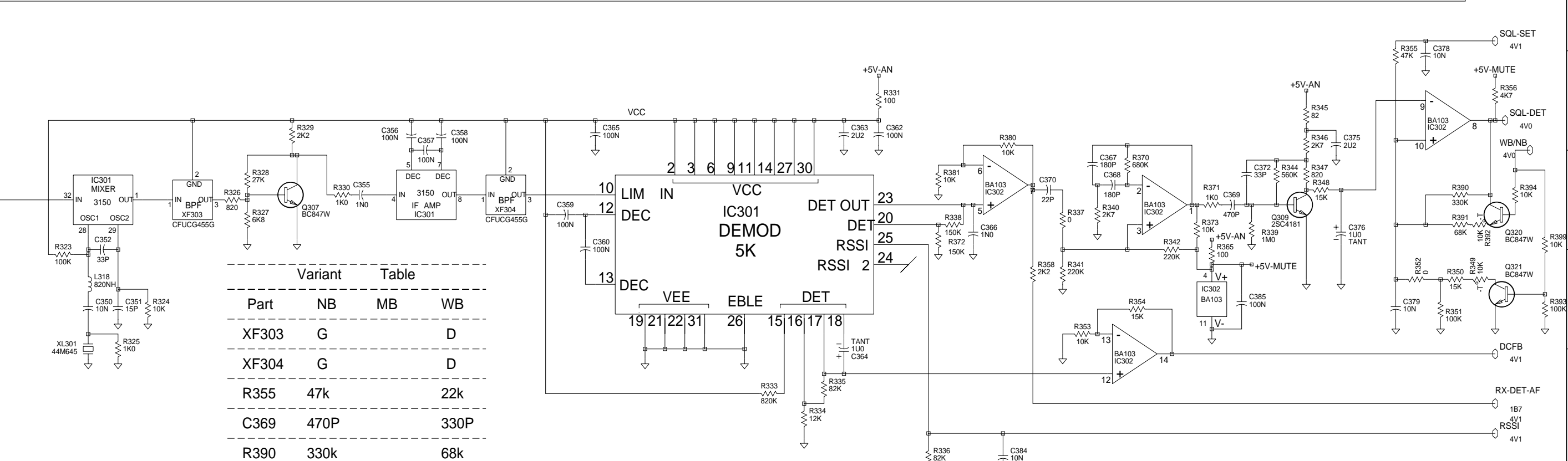
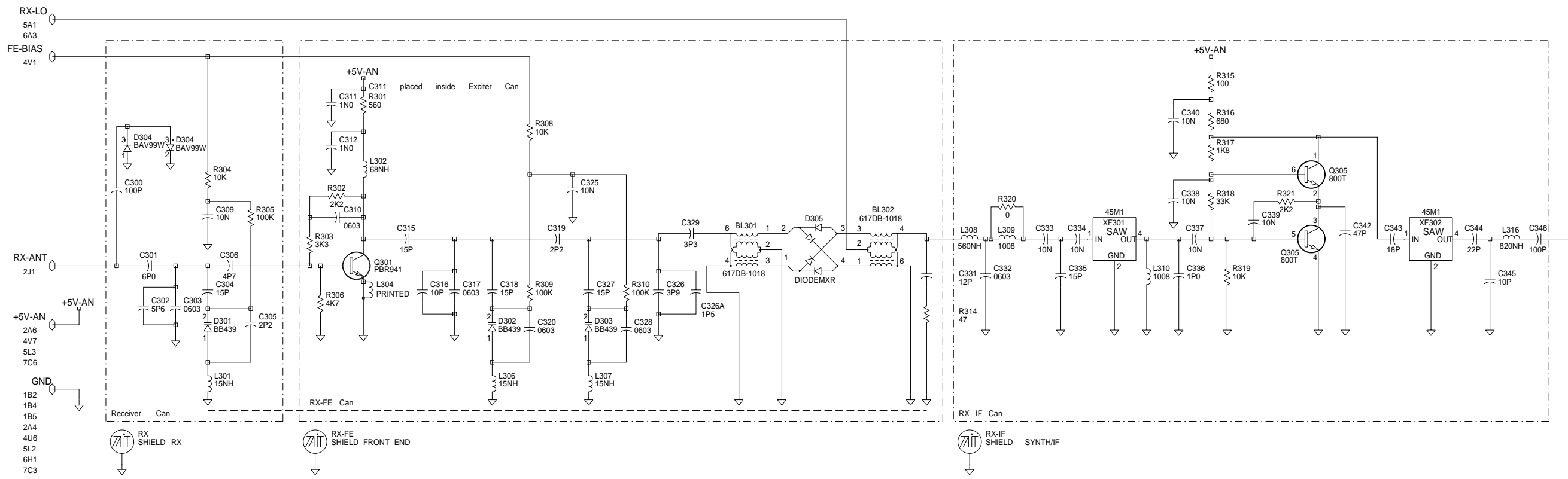
© TAIT ELECTRONICS			
TAIT ORCA : 450-530 MHZ SYSTEM DIAGRAM			
PROJECT:	DESIGNER:	FILE NAME:	FILE DATE:
ORCA	BRD	1624006	22-Aug-02
ISSUE:	ID:		
220-01624-06	B 2.S.C. 1		
NO.SHEETS:			
7			



DUAL PLACEMENT Place Either Or  
Place D105, D106, D107 or Only D100

© TAIT ELECTRONICS	
TAIT ORCA : 450-530 MHZ POWER AMPLIFIER	
IPN: 220-01624-06	ISSUE: B 2.S.C. 2
PROJECT: ORCA	DESIGNER: BRD
FILE NAME: 162406b	FILE DATE: 22-Aug-02
NO. SHEETS: 7	

02A	CCO NO.1624-004	AMP CHANGES	TS	16-12-99
REV/ISS	AMENDMENTS	DRAWN	CHKD	D.O.
		APVD	DATE	



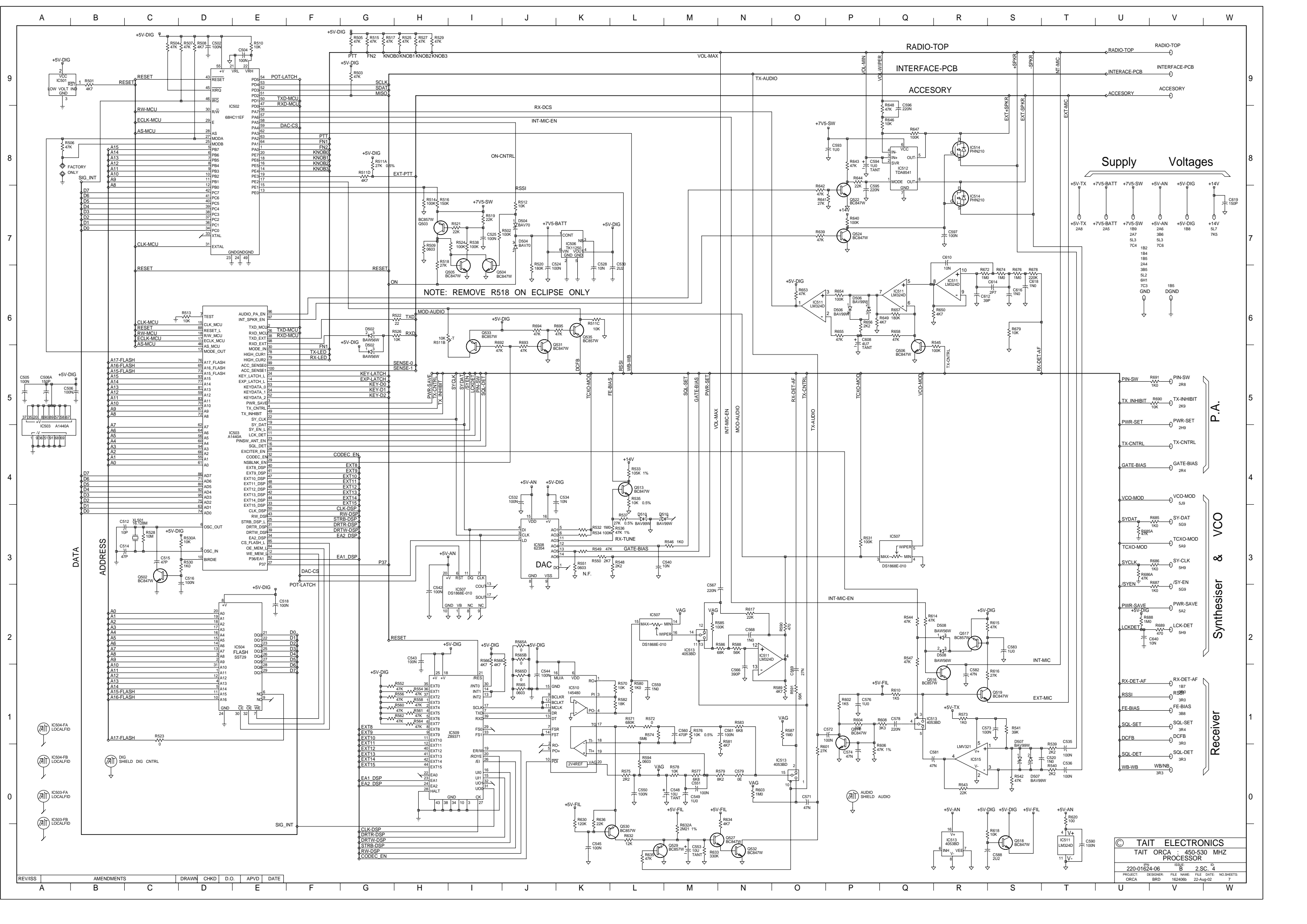
Variant Table

Part	NB	MB	WB
XF303	G		D
XF304	G		D
R355	47k		22k
C369	470P		330P
R390	330k		68k

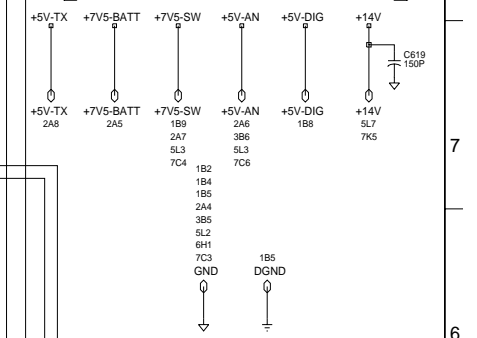
**TAIT ELECTRONICS**  
**TAIT ORCA : 450-530 MHz RECEIVER**

IPN: 220-01624-06    ISSUE: B    2.SC. 3    ID:  
 PROJECT: ORCA    DESIGNER: BRD    FILE NAME: 162406b    FILE DATE: 22-Aug-02    NO. SHEETS: 7

REV/ISS	AMENDMENTS	DRAWN	CHKD	D.O.	APVD	DATE

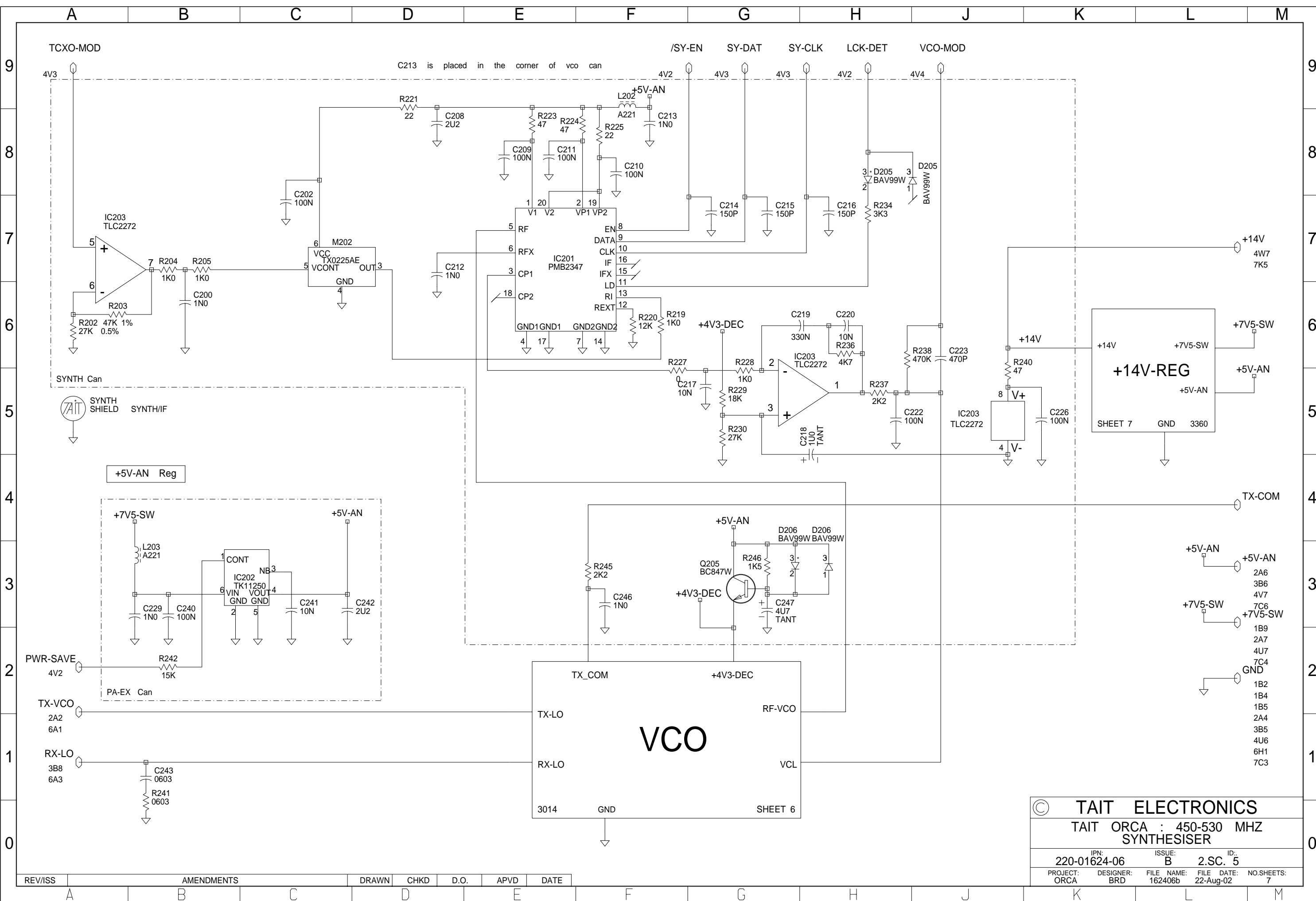


Supply Voltages



P.A.  
Synthesiser & VCO  
Receiver

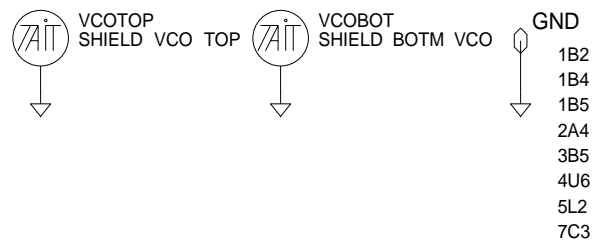
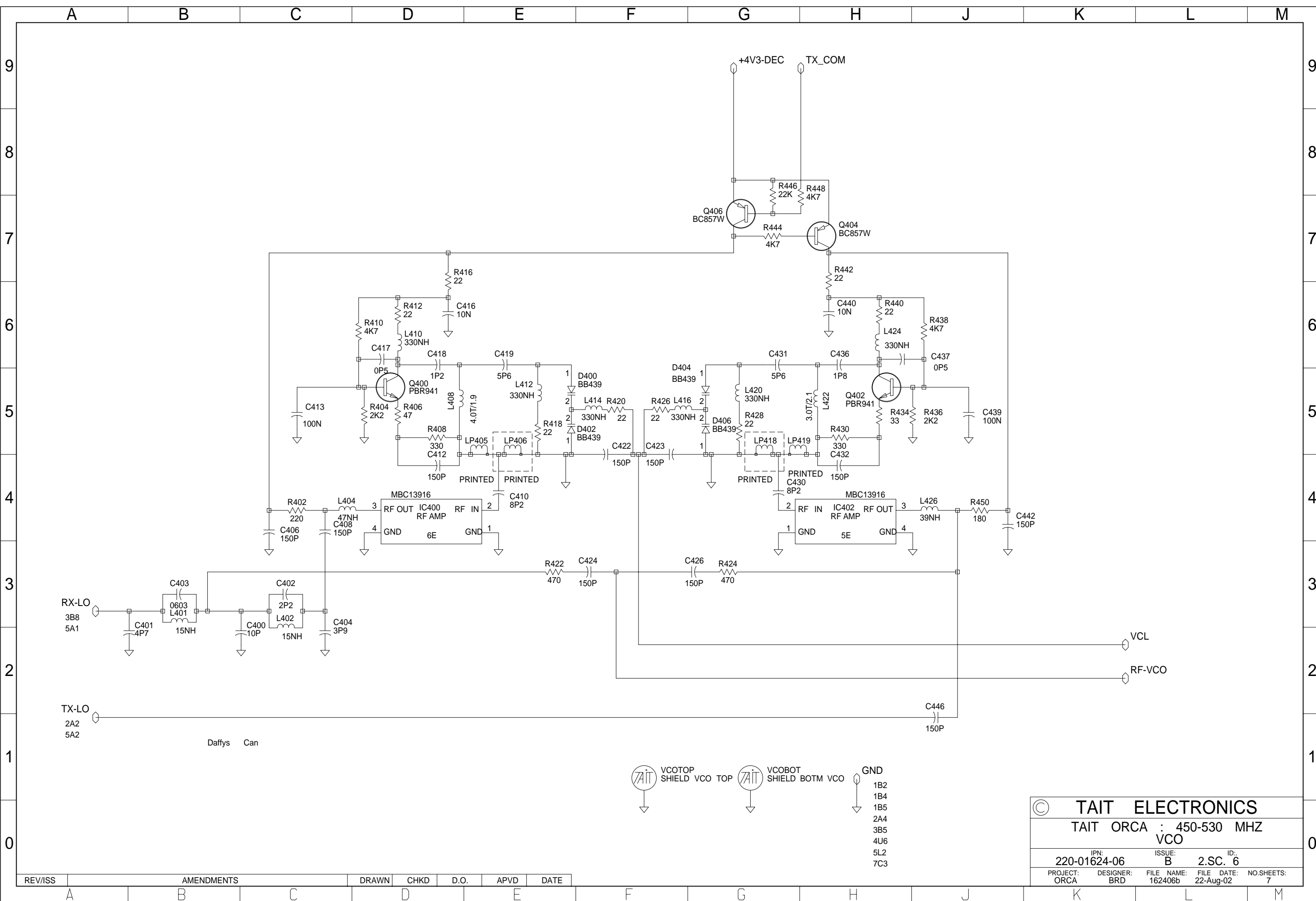
© TAIT ELECTRONICS  
 TAIT ORCA - 450-530 MHZ  
 PROCESSOR  
 PART: 220-01624-06 REV: 4  
 PROJECT: ORCA BRD: 162406-22-ANG-02



© TAIT ELECTRONICS  
 TAIT ORCA : 450-530 MHZ SYNTHESISER

IPN: 220-01624-06	ISSUE: B	ID: 2.S.C. 5
PROJECT: ORCA	DESIGNER: BRD	FILE NAME: 162406b
	FILE DATE: 22-Aug-02	NO.SHEETS: 7

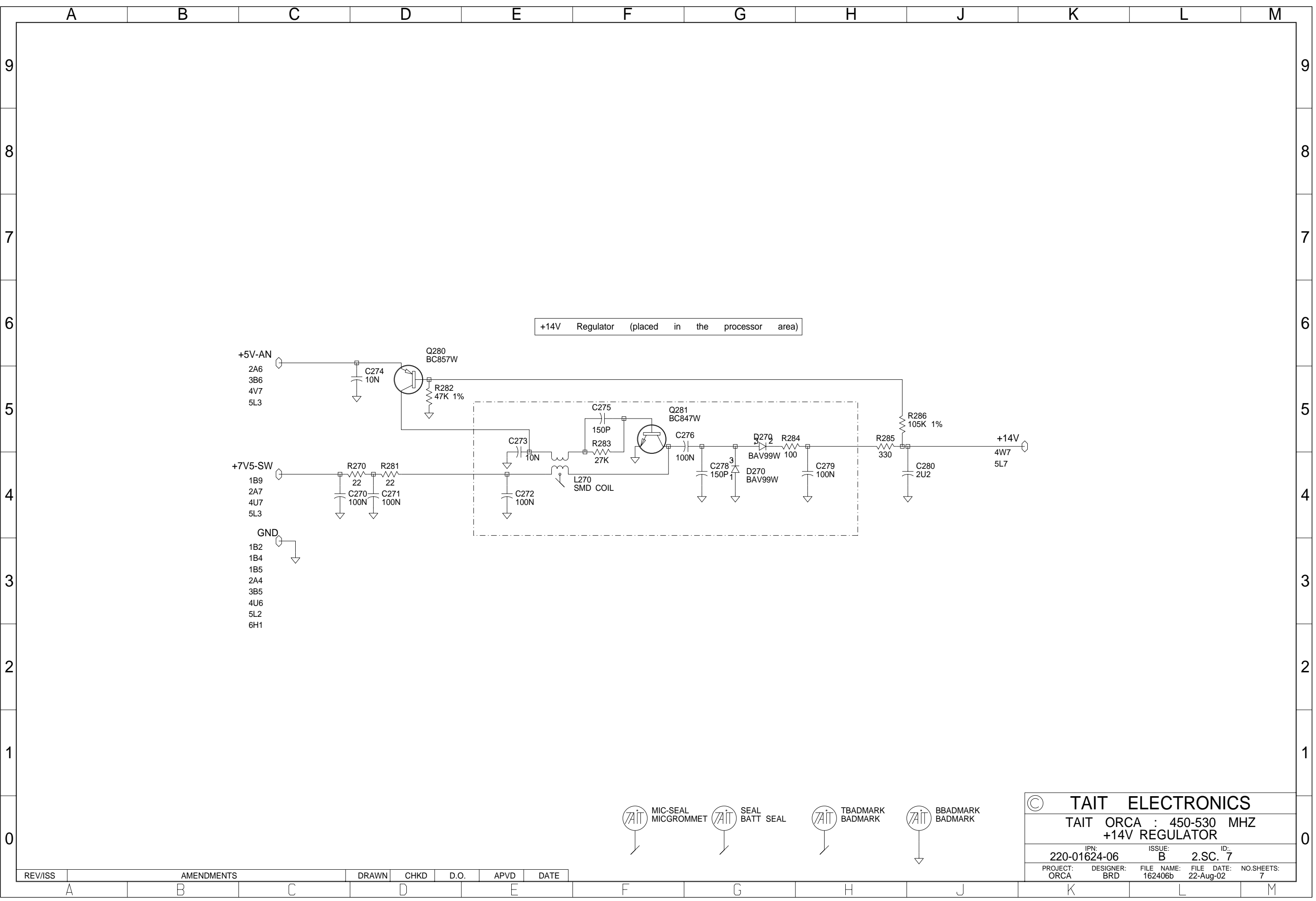
REV/ISS	AMENDMENTS	DRAWN	CHKD	D.O.	APVD	DATE



© TAIT ELECTRONICS  
 TAIT ORCA : 450-530 MHZ  
 VCO

IPN: 220-01624-06	ISSUE: B	ID: 2.SC. 6
PROJECT: ORCA	DESIGNER: BRD	FILE NAME: 162406b
	FILE DATE: 22-Aug-02	NO.SHEETS: 7

REV/ISS	AMENDMENTS	DRAWN	CHKD	D.O.	APVD	DATE
A						
B						
C						
D						
E						





+14V Regulator (placed in the processor area)

+5V-AN  
2A6  
3B6  
4V7  
5L3

+7V5-SW  
1B9  
2A7  
4U7  
5L3

GND  
1B2  
1B4  
1B5  
2A4  
3B5  
4U6  
5L2  
6H1

© TAIT ELECTRONICS			
TAIT ORCA : 450-530 MHZ +14V REGULATOR			
IPN: 220-01624-06	ISSUE: B	ID: 2.SC. 7	
PROJECT: ORCA	DESIGNER: BRD	FILE NAME: 162406b	FILE DATE: 22-Aug-02
			NO.SHEETS: 7

-   
 MIC-SEAL  
MICGROMMET
-   
 SEAL  
BATT SEAL
-   
 TBADMARK  
BADMARK
-   
 BBADMARK  
BADMARK

REV/ISS	AMENDMENTS	DRAWN	CHKD	D.O.	APVD	DATE